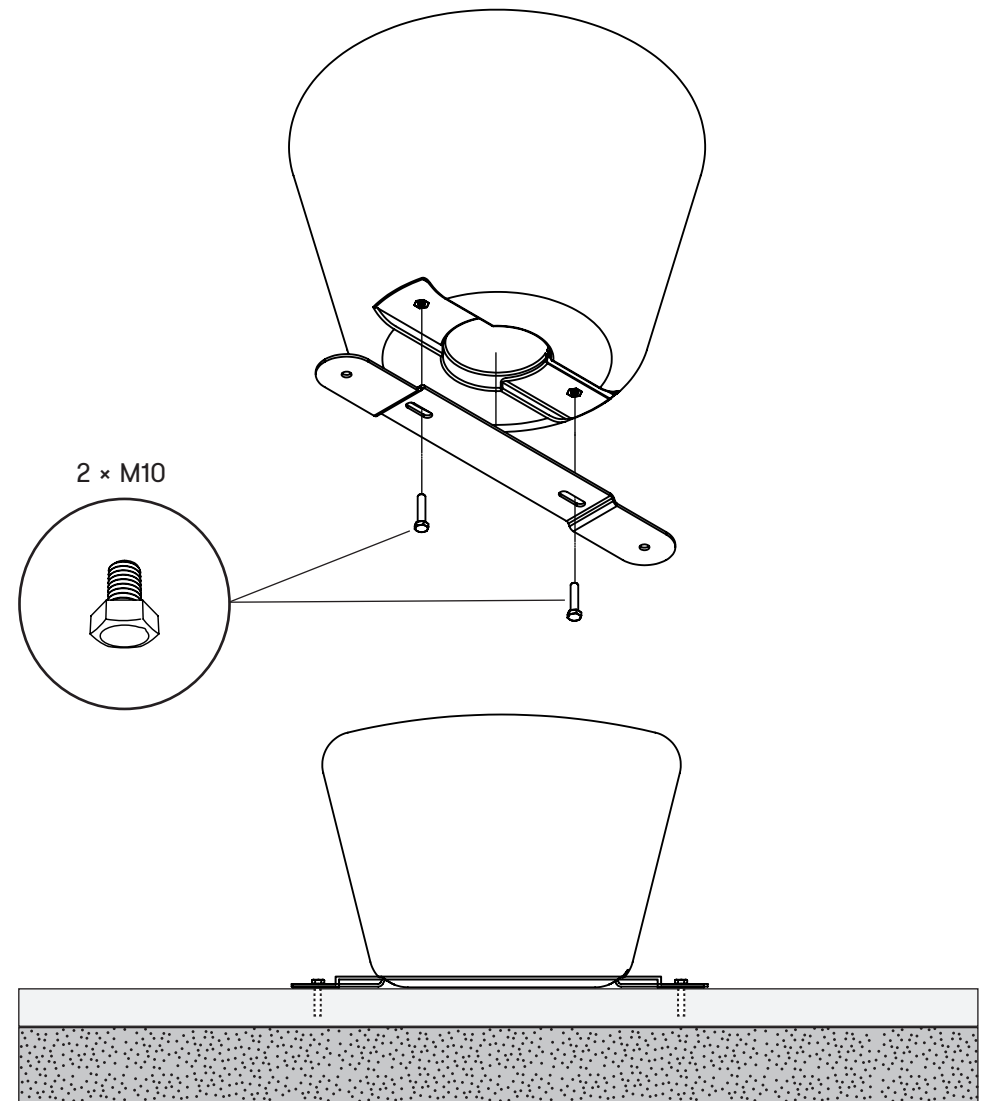
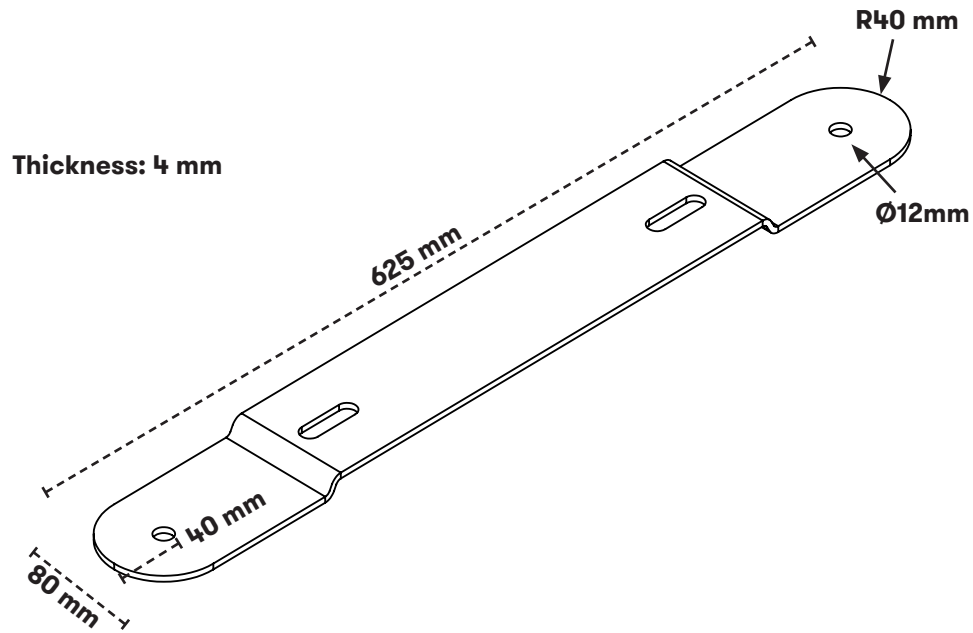

MOUNTING

LOOP UP #198



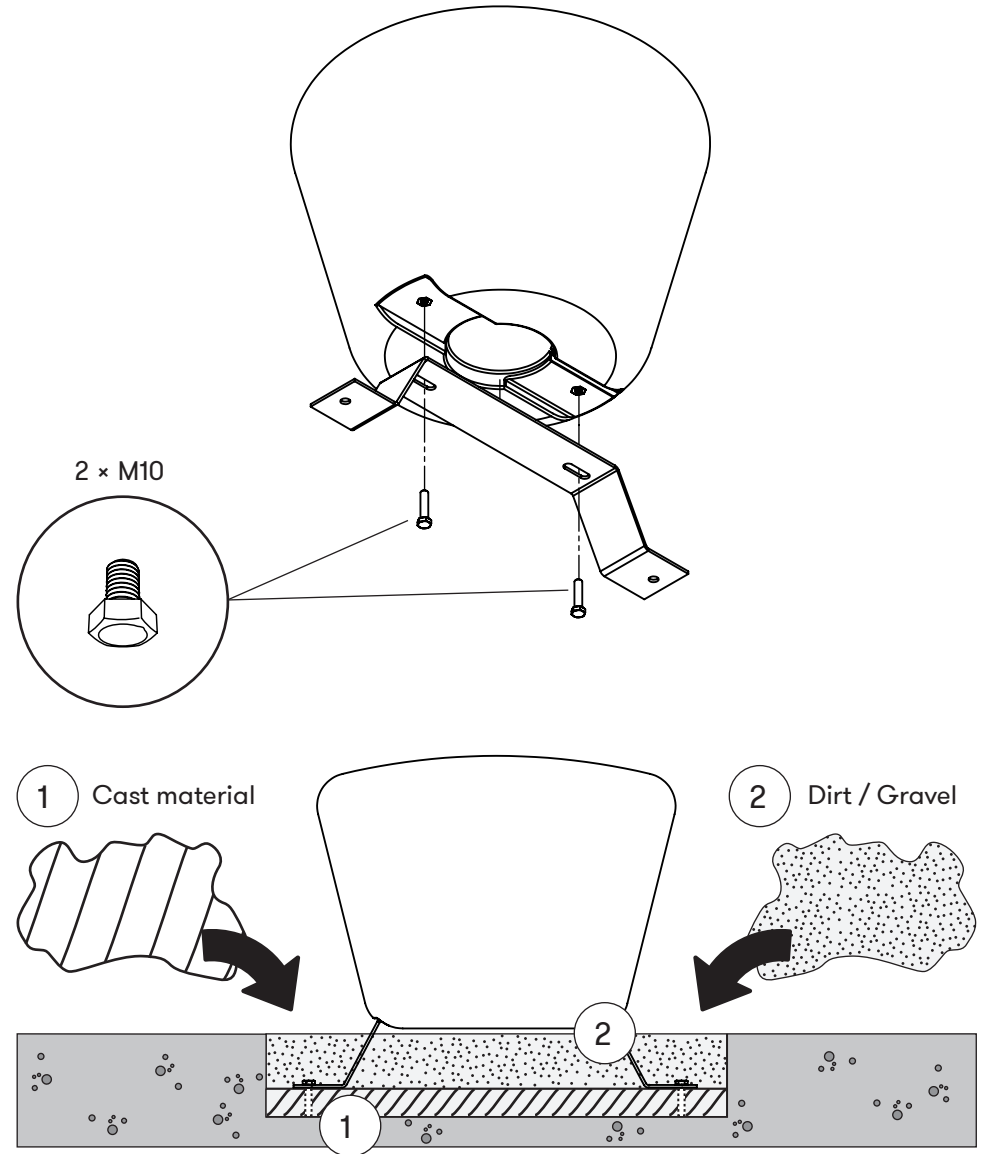
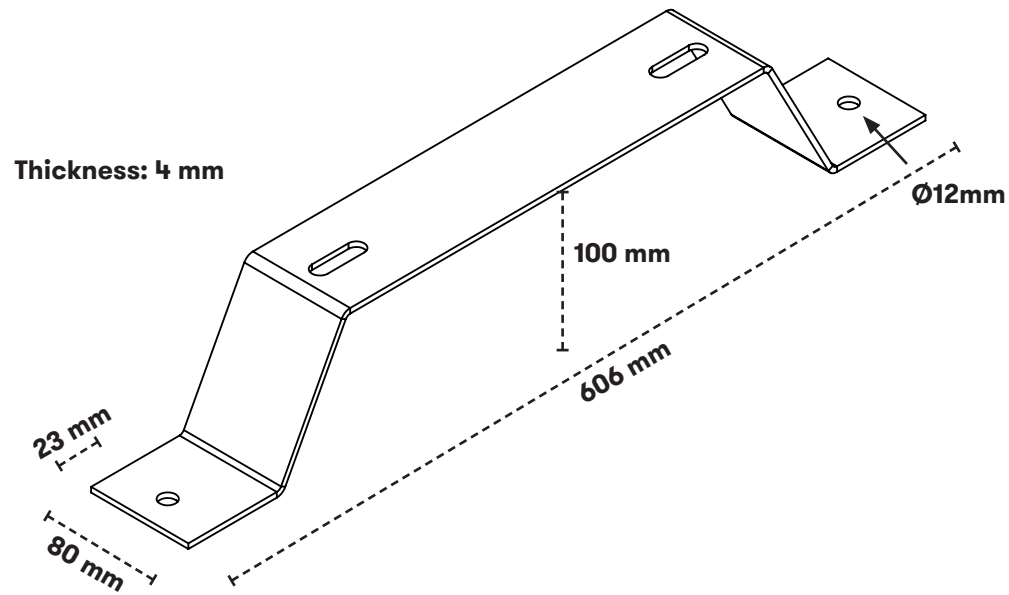
B15 BRACKET FOR SURFACE FIXATION

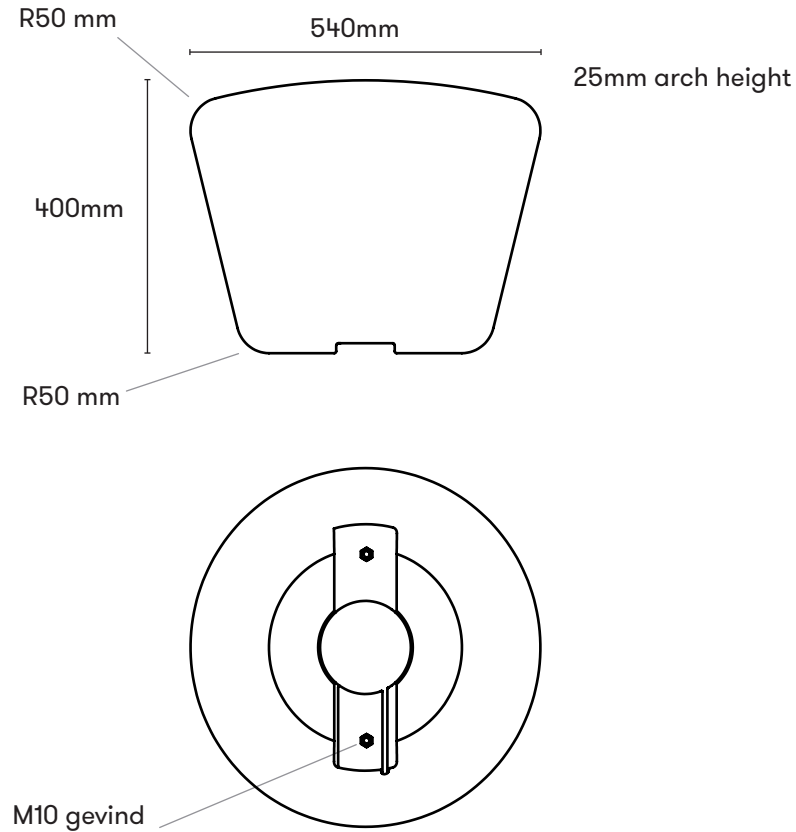
In order to fixate the bracket to the surface, use two bolts of fitting size. These bolts are not included.



B16 BRACKET FOR SUB-SURFACE FIXATION

In order to fixate the bracket to the surface, use two bolts of fitting size. These bolts are not included.





CLEANING INSTRUCTIONS

Polyethylene can withstand almost all cleaning agents.
The material does not need to be maintained.
Preserves the colors.

High-pressure cleaner can be used for cleaning the product.

NON-SLIP SURFACES

Because of the surface treatment of the mold, a rough / knurbed surface is obtained in final product.
The process increases the friction and thereby makes the surface less smooth.

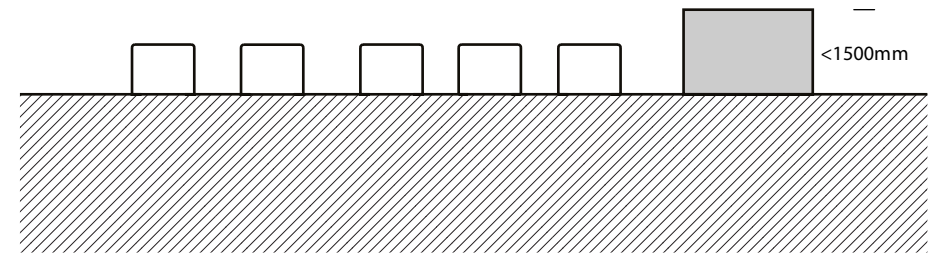
FALL SURFACE AND SHOCK AREA

Shock absorbing surface and the extension of impact area.
In accordance with EN 1176-1:2017 we recommend an impact area of 1500mm to the side of the track.

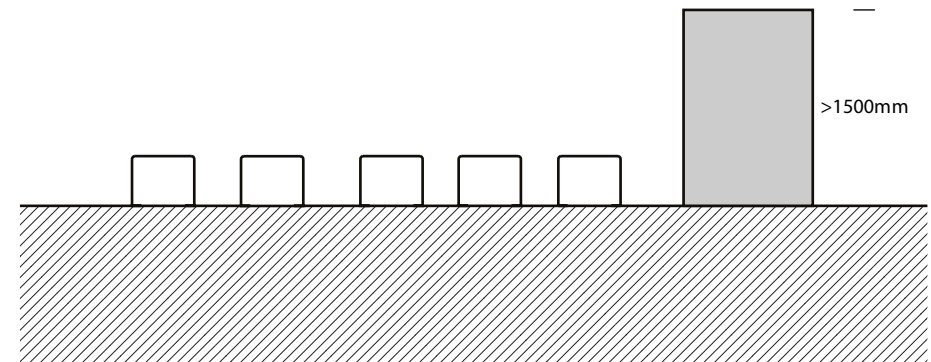
Distance between the products can vary but shall be lessened in order to facilitate a safe transition.

Note: For a safe transition between Loop Up and other equipments in the ongoing track, a max. difference in FH of 600mm shall be observed.

Since overlap of the impact areas are permitted, the extension of the impact area shall be based on the highest FH and calculated as follows: If $FH > 1500\text{mm}$ the extension = $\frac{2}{3} FH + 500\text{mm}$.



1) Loop Up and other products <1500mm



2) Loop Up and other products >1500mm