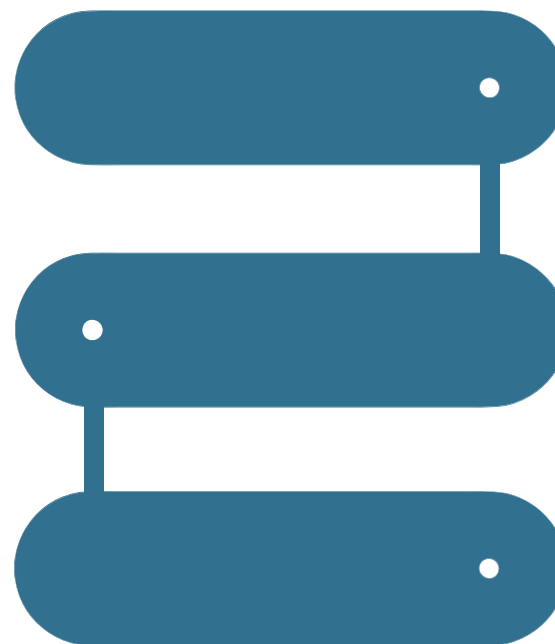


PLATEAU STREET

#207 MOUNTING GUIDE



outsider

Kigkurren 8A Islands Brygge DK-2300 Copenhagen · out-sider.dk

PLATEAU PICNIC STREET

Developed by out-sider in collaboration with Holscher Design 2019.

INDEX:	PAGE
Item list	02
Assembling legs and table.....	03
Assembling laminate seats to the legs.....	04
Assembling seats to table frame.....	04
Cleaning and maintenance	05

ITEM LIST

Seat 900

- 6 pcs M8x100 allen key screw
- 6 pcs M8 nuts
- 6 pcs M8 washer

Tools (not included)

- Allen key set
- Socket wrench set
- Screws and bolts for the mounting on the surface

3x Seat 1800 or Seat 1250



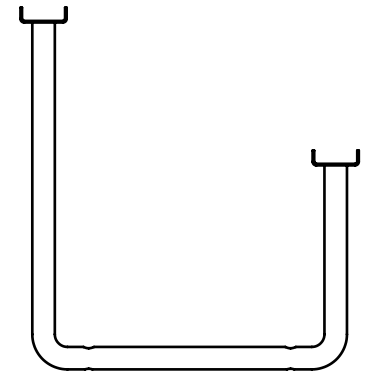
1x logo disc
(195 9040)



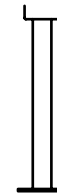
2x disc
(195 9041)



2x Street leg (204 3030)



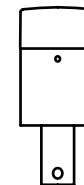
2x Short leg with flange
(204 1010)



ADD-ONS

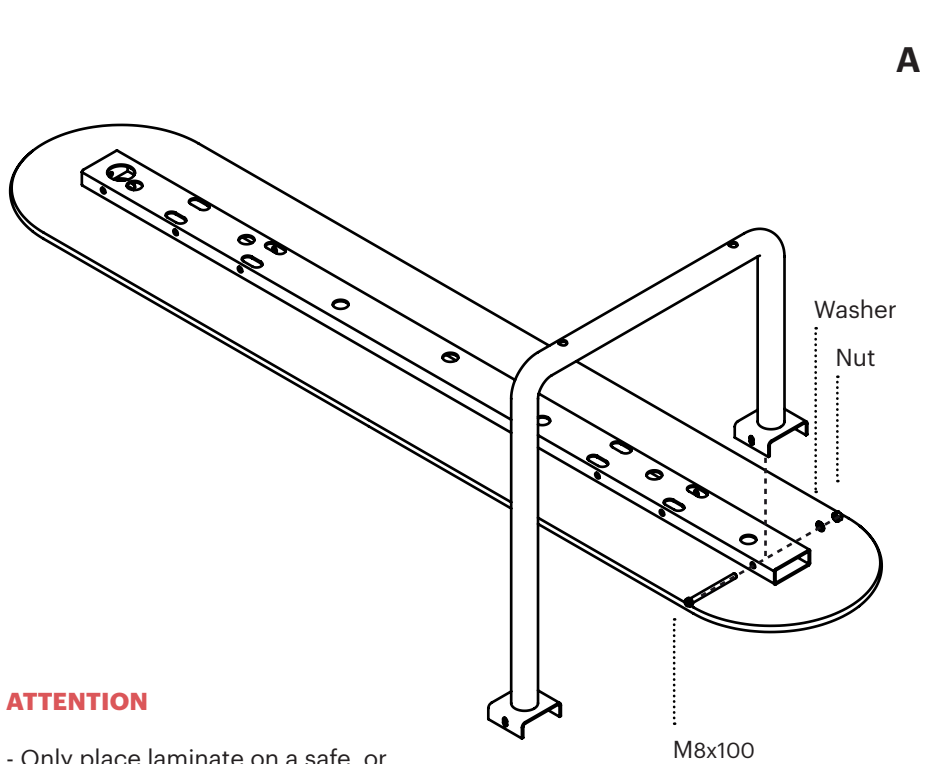
Add-ons, are not included with standard product

1x Point Sun
f. Seat



1: ASSEMBLING LEGS AND TABLE

A: Place one leg at the end where there is no hole through the frame. Fixate the leg with M8x100 bolt, nut and washer. **B:** flip the assembly over, place the other leg underneath the frame. Insert the disc, and fixate leg and disc with M8x100 bolt, nut and washer.

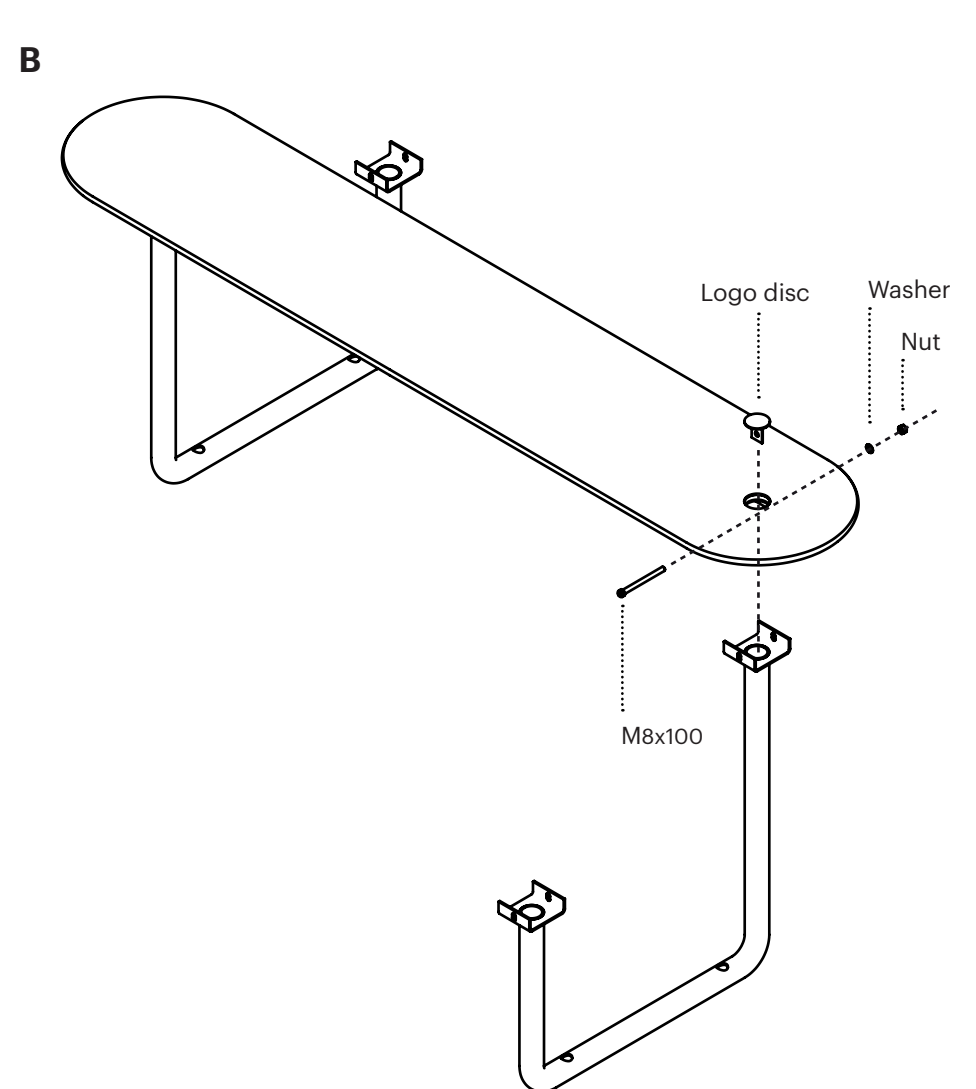


ATTENTION

- Only place laminate on a safe, or soft surface to prevent damage to the laminate.

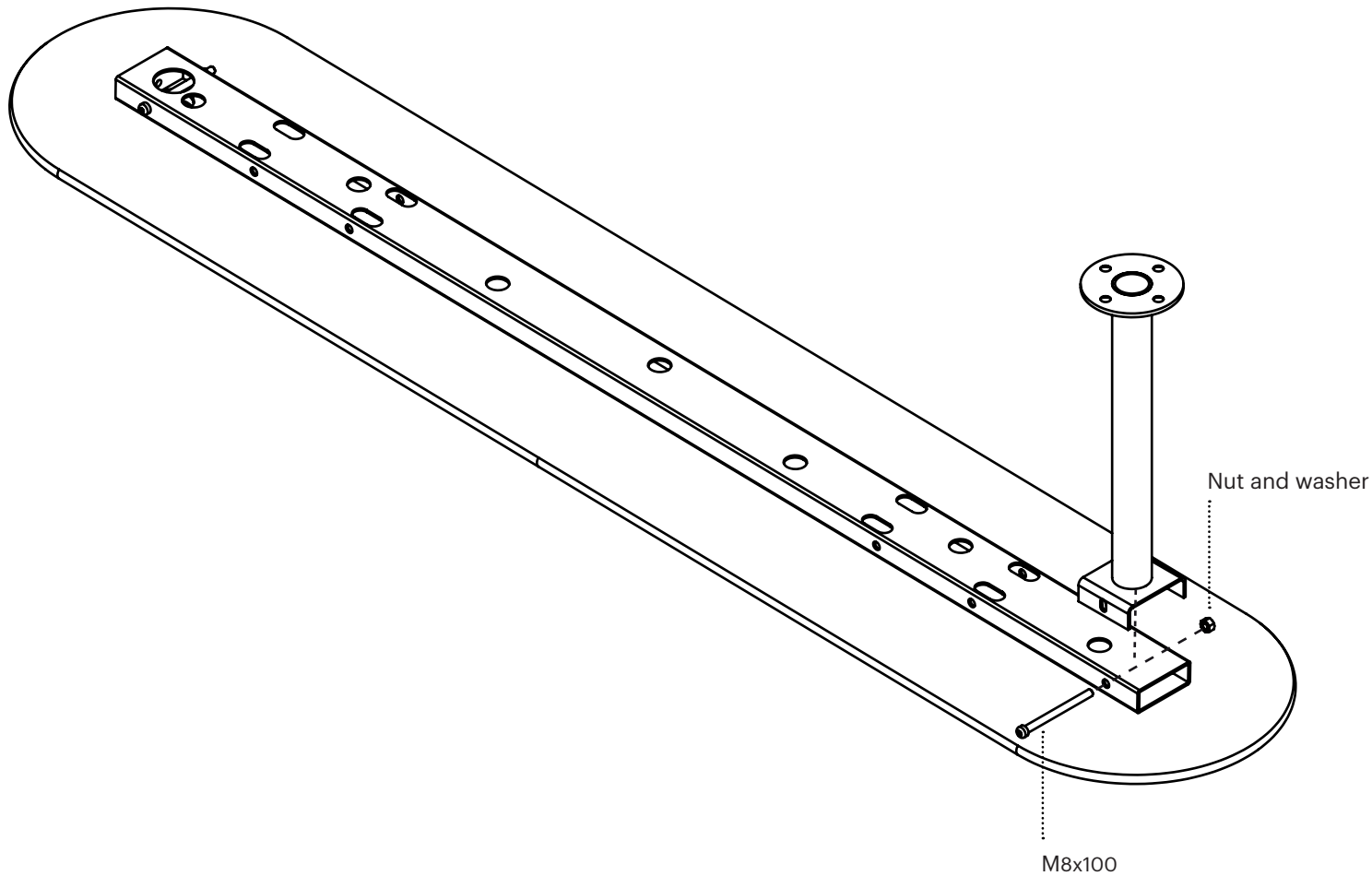
Table and leg with flange

Make sure the flange is placed flat against the frame when firmly tightening the bolt.



2: ASSEMBLING LAMINATE SEATS TO LEGS

Use the included M8 x 100mm allen key bolts to fix the sitting surface to the fixated surface bracket. Tighten the bolts and nuts with allen key no 6. and a 17mm spanner tool.



ATTENTION

- Only place laminate on a safe, or soft surface to prevent damage to the laminate.

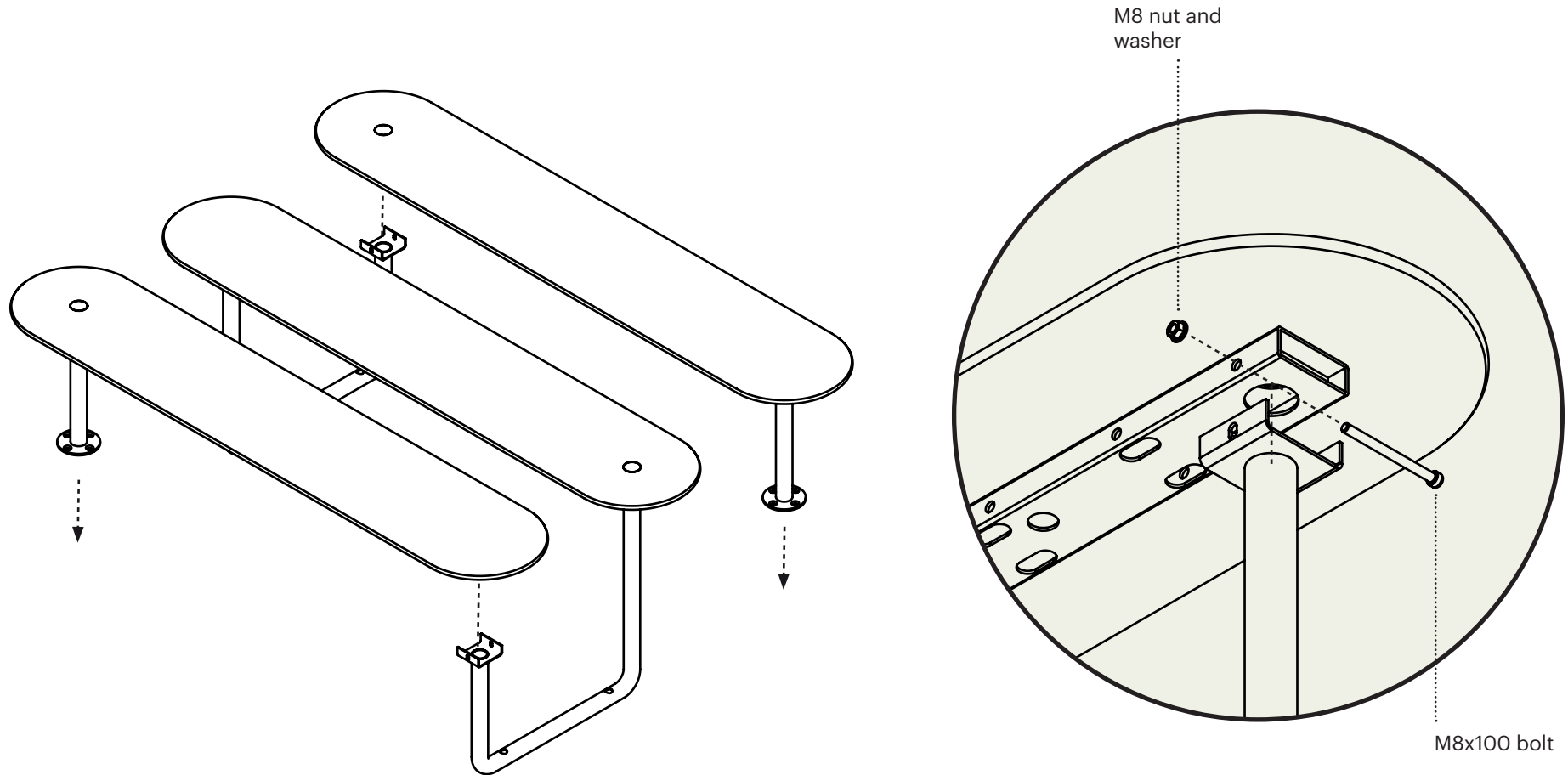
- Repeat procedure with the next 1800/1250 seat for 207 Street.

Seat 1800/1250 and leg with flange

Make sure the flange is placed flat against the seat frame when firmly tightening the bolt.

3: ASSEMBLING SEATS TO TABLE FRAME

The two seats are placed over the table frame and fastened with M8x100, nut and washer. Tighten firmly. Remember to fit disc before tightening the bolt.



CLEANING

Clean the laminate surface with warm water and a soft sponge.
NEVER use the abrasive "green" side of the sponge. Use an ordinary universal cleaner.

Difficult dirt must be removed with a nano sponge and water. Please take a closer look at our website, or contact us for information.



Kigkurren 8A
Islands Brygge
DK-2300 Copenhagen

out-sider.dk
+45 77 343 341