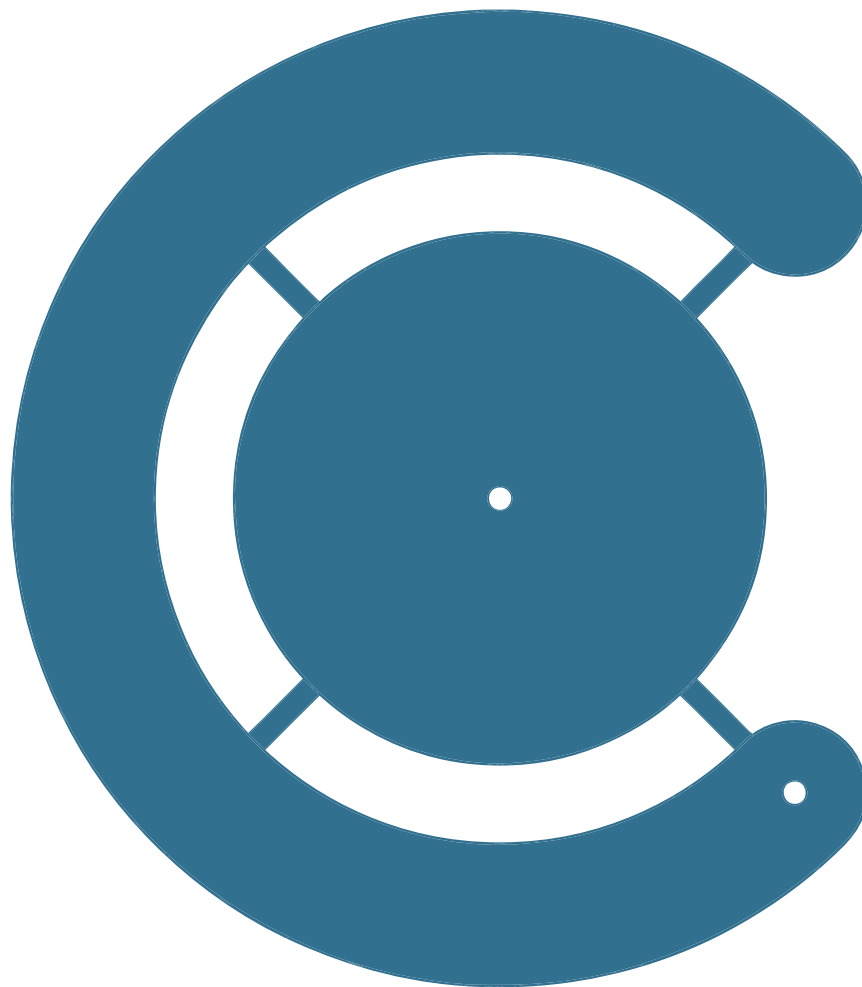


# PLATEAU PICNIC ROUND

19-09-2022

## #203 MOUNTING GUIDE



# PLATEAU PICNIC ROUND

Developed by out-sider in collaboration with Holscher Design.

INDEX:	PAGE
Item list .....	<b>02</b>
Fixation of legs onto center tube.....	<b>03</b>
Fixation of seat onto leg frame.....	<b>04</b>
Fixation of table onto center tube.....	<b>05</b>
Fixation of disc .....	<b>06</b>
Fixation of Point Sun.....	<b>07</b>
Cleaning.....	<b>08</b>

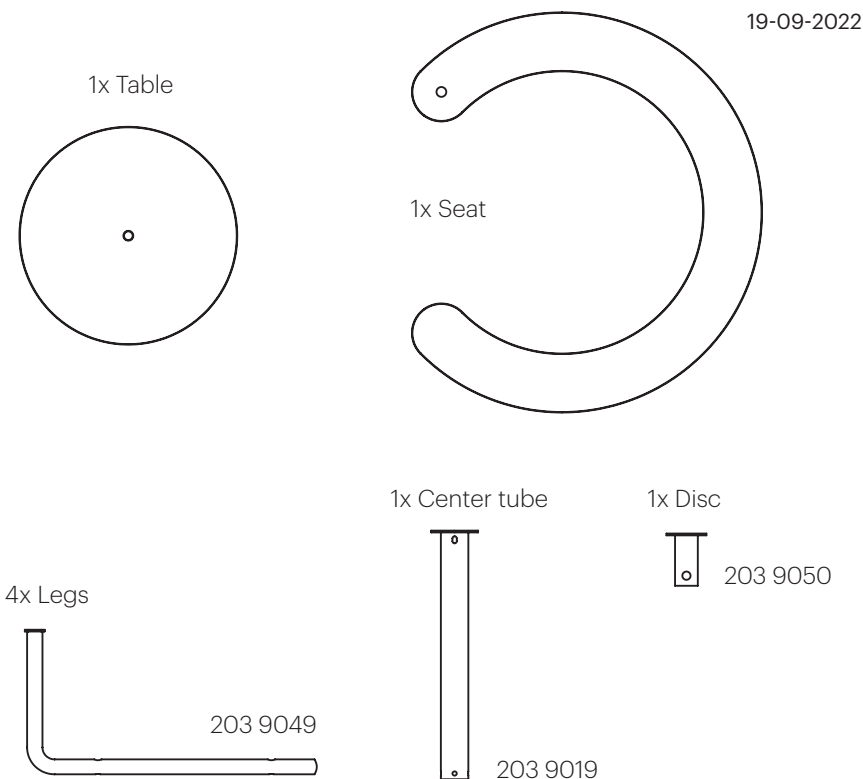
## ITEM LIST

### Screws/bolts

- 4x M8x10
- 1x M8x90
- 4x M10X30
- 2x M8 washer
- 1x M8 NUT
- 8x M10x10

### Tools (not included)

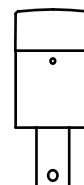
- Allen key set
- Socket wrench set



## ADD-ONS

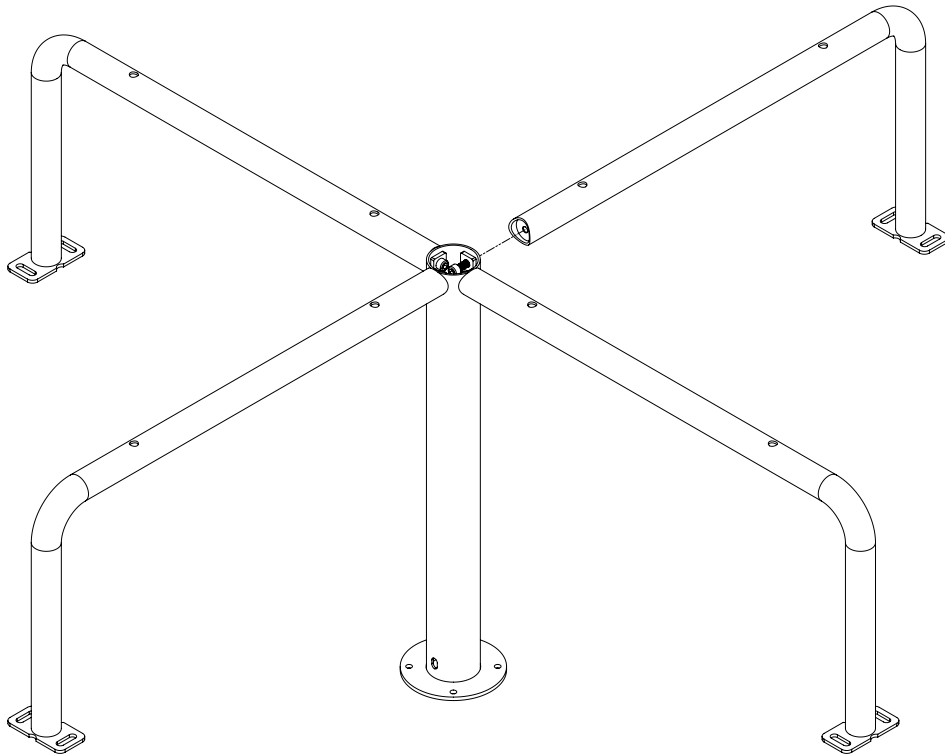
*Add-ons, are not included with standard product*

1x Point Sun  
f. Picnic Round #326



## FIXATION OF LEGS ONTO CENTER TUBE

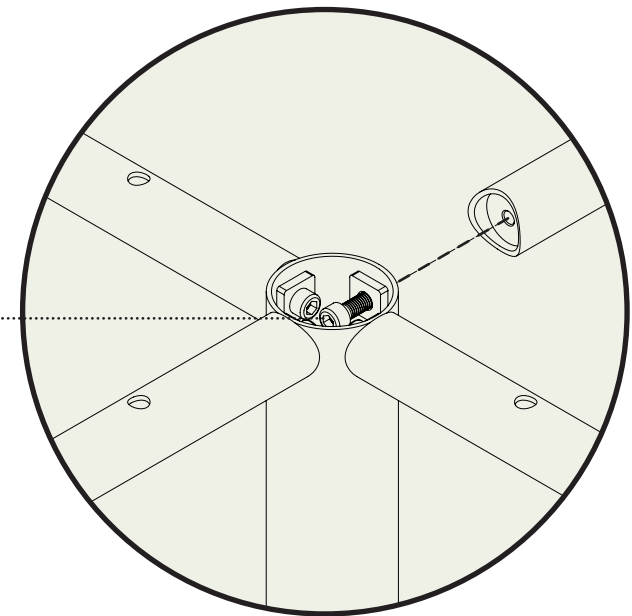
Place the center tube with the flange against the ground. Each leg is mounted with an M10x30 bolt from the inside of the center tube. Tighten the bolts firmly.



### Fastening of the leg.

The bolt is passed through the hole from the inside. Use the Allen key only when the bolt has gotten hold of the thread.

4x M10x30

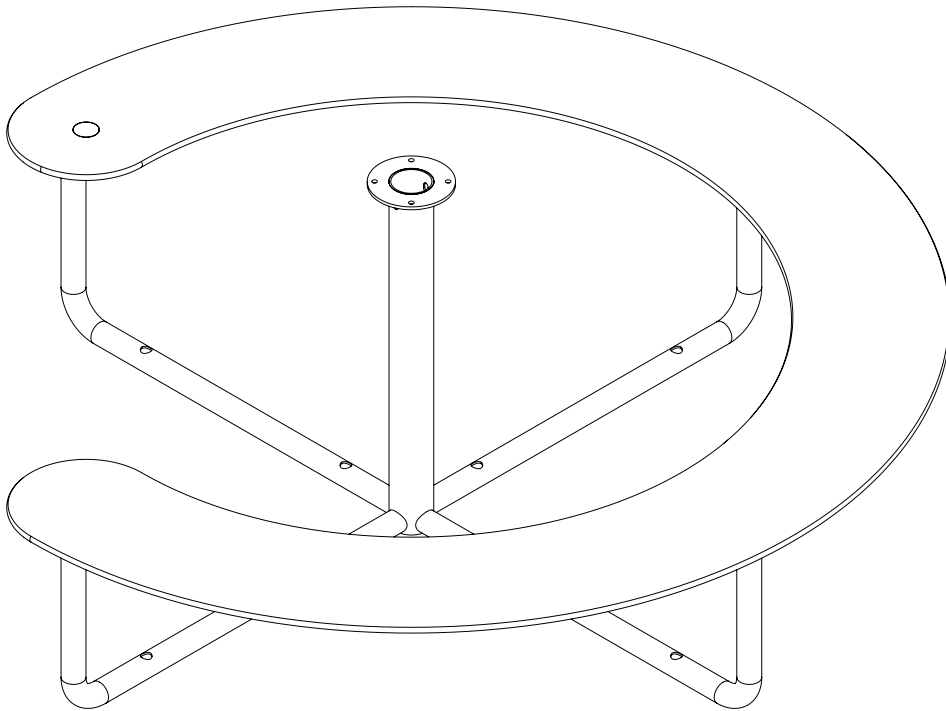


## FIXATION OF SEAT ONTO LEG FRAME

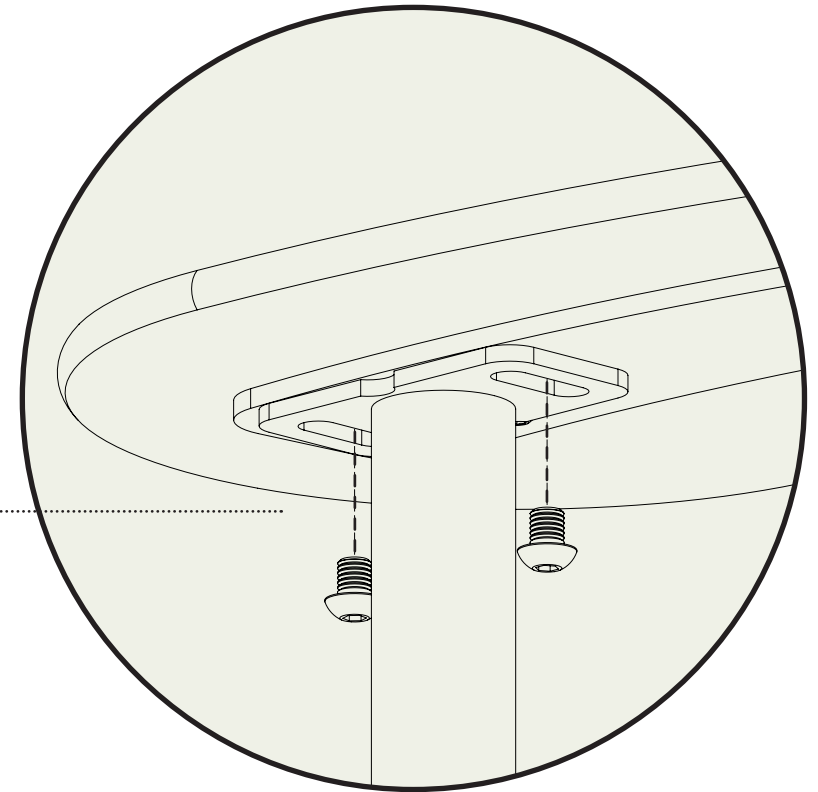
After the legs are mounted, the frame is turned over so that the seat can be placed on top. The seat comes with a steel frame, ready for fastening. All 8x M10x10 bolts are loosely screwed in and retightened.

### Placement of seat

Carefully place the seat on top of the leg frame.



8x M10x10



### Fastening of the seat

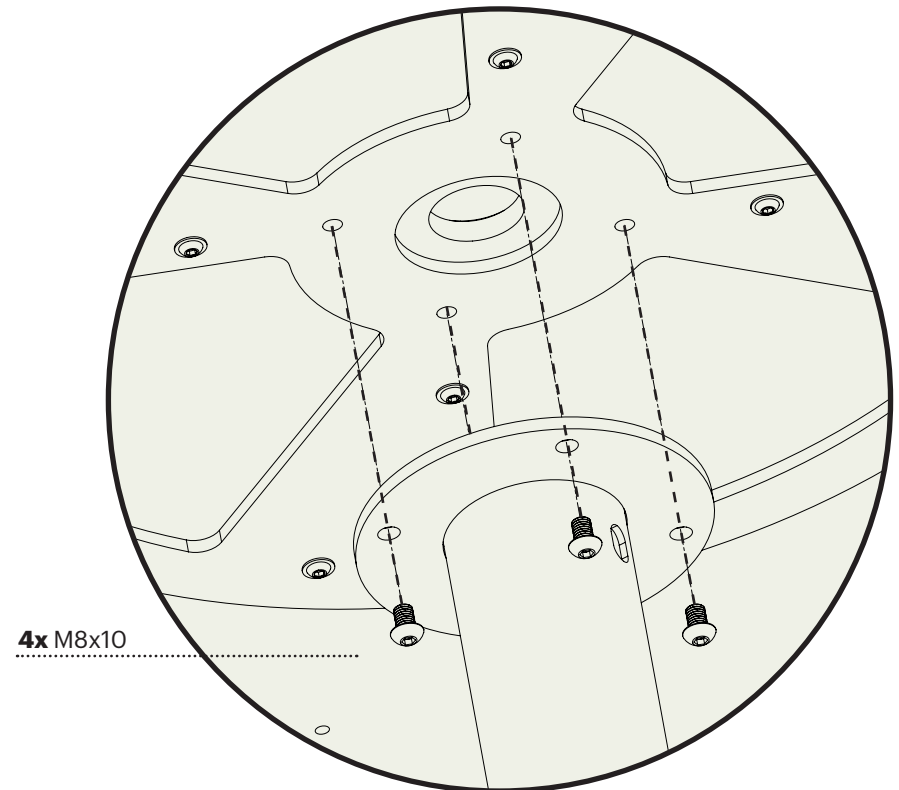
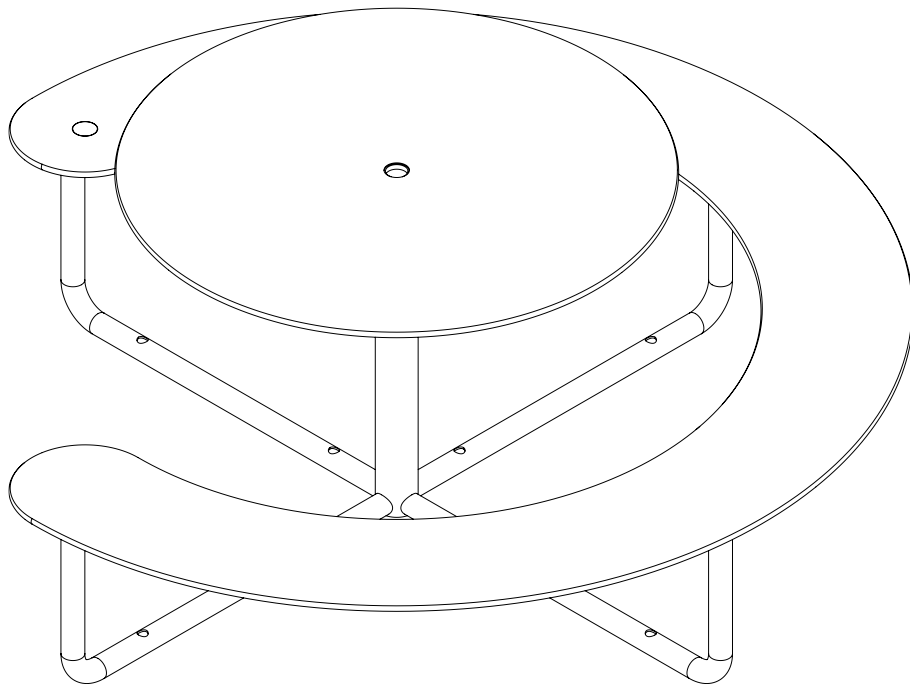
Use M10x12 bolts to fasten the seat to all four legs.

## FIXATION OF TABLE ONTO CENTER TUBE

After the seat has been fitted, the table can be carefully laid on the top of the center tube. The table comes with a steel frame, ready for mounting on the center tube. All 4x M8x10 bolts are loosely screwed in and retightened.

### Placement of table

Carefully place the table on top of the center tube.



### Fastening of the table

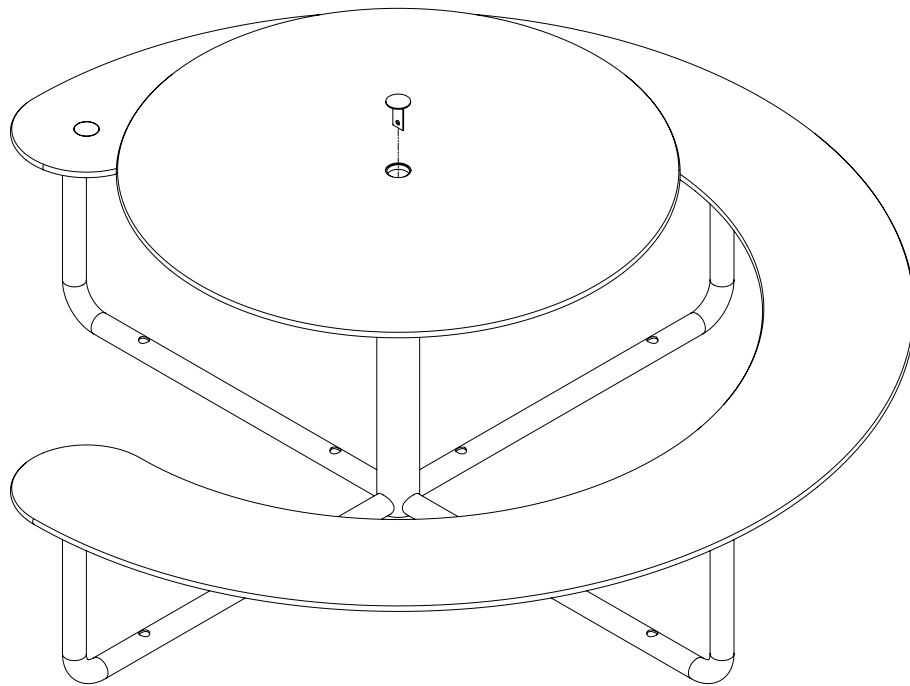
Use M8x10 bolts to fasten the tables to the center tube.

## FIXATION OF DISC

Lastly, insert the disc and fixate it through the center tube. Use M8x90, washers and nut.

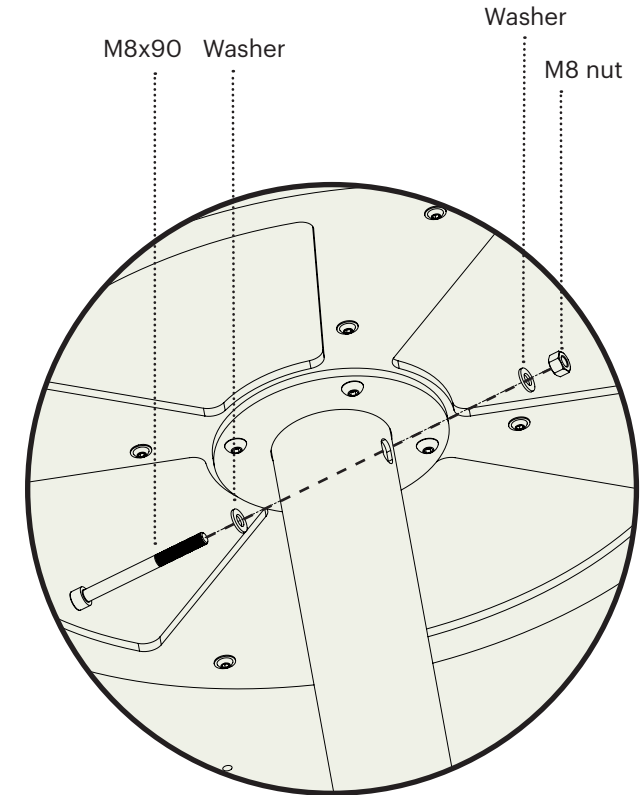
### Insert the disc

The disc fits in the milled surface.



### ATTENTION:

- The disc will skewed if the bolt is tightned too hard.

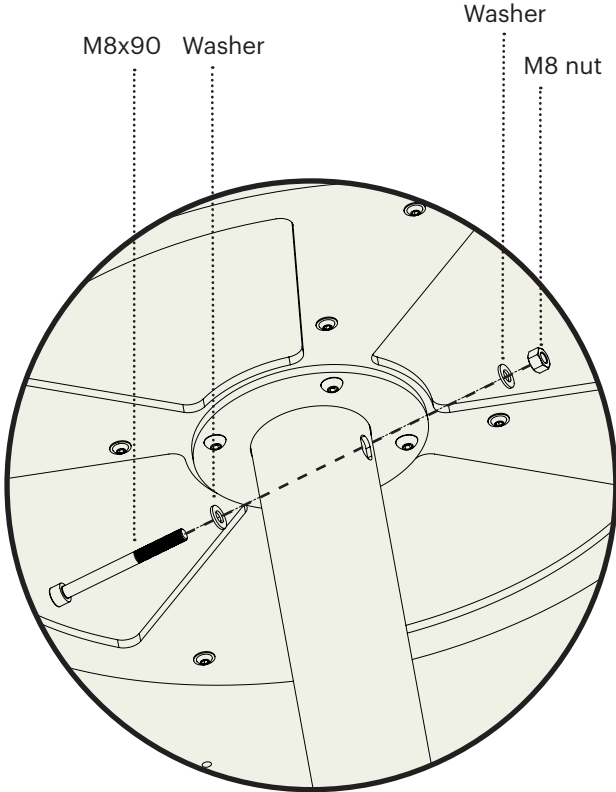
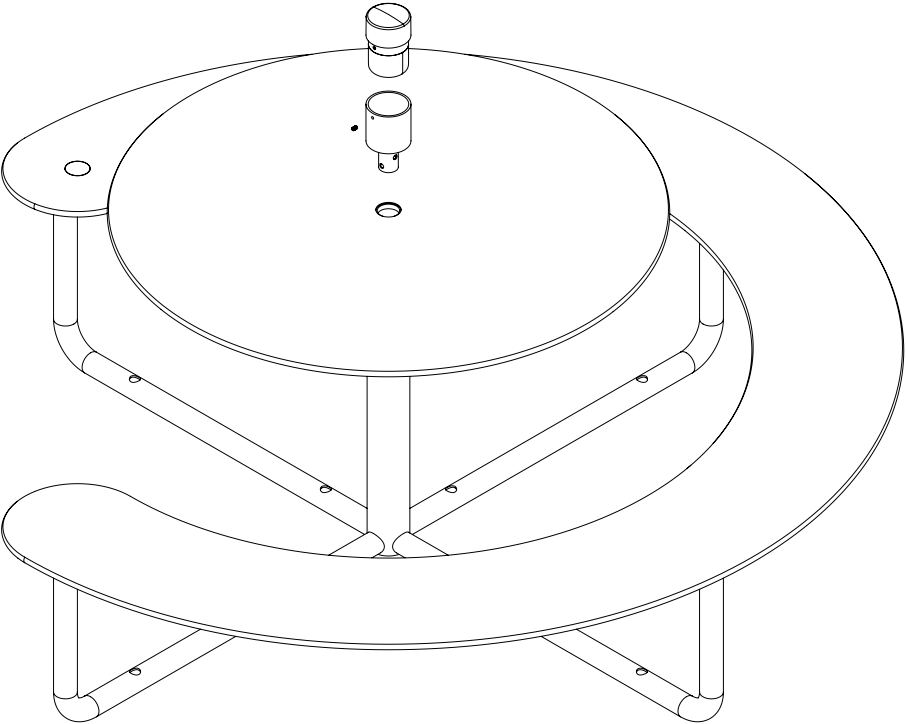


### Fastening of the disc

Use M8x90 bolt, nut and washer to fixate.

# FIXATION OF POINT SUN

Place the Point sun unit in the hole in the center of the tabletop. Use the M8x90 bolt, washers, and nut to secure it.



**Fastening of the base**  
Use M8x90 bolt, nut and washer to fixate.

## CLEANING

Clean the laminate surface with warm water and a soft sponge.  
NEVER use the abrasive "green" side of the sponge. Use an ordinary universal cleaner.

Difficult dirt must be removed with a nano sponge and water. Please take a closer look at our website, or contact us for information.



---

Kigkurren 8A  
Islands Brygge  
DK-2300 Copenhagen

**out-sider.dk**  
**+45 77 343 341**