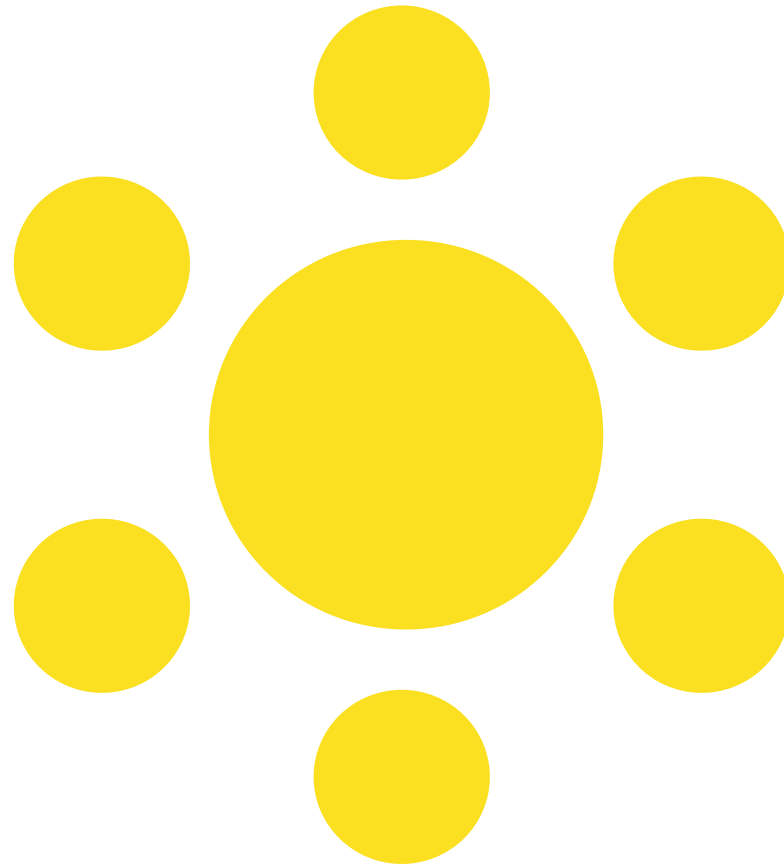
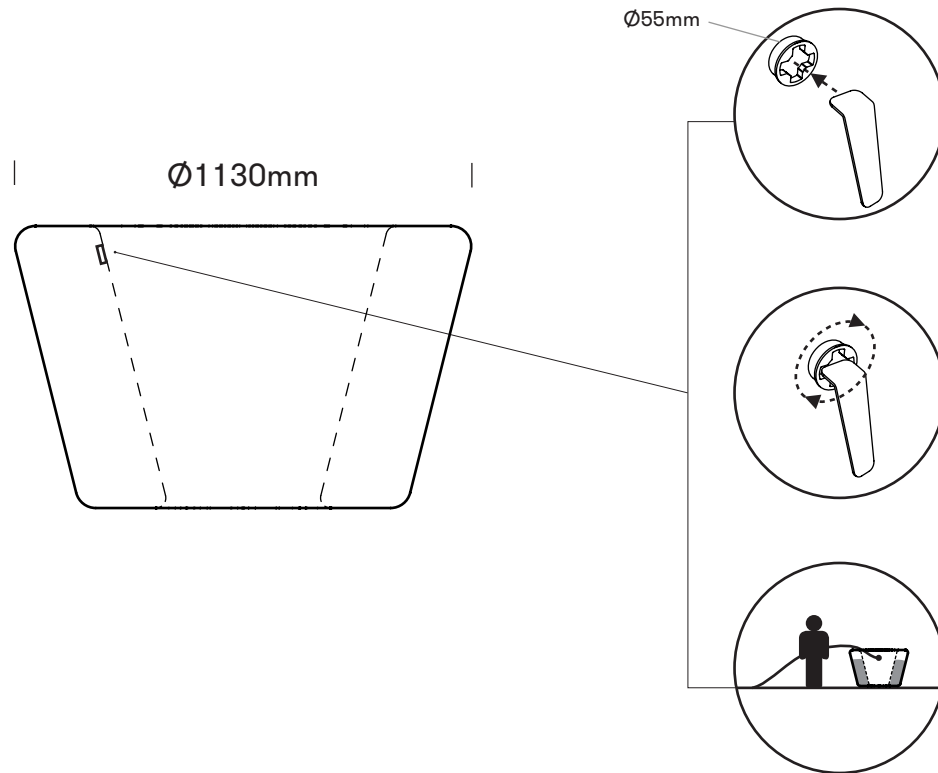


MOUNTING INSTRUCTIONS

LOOP PICNIC #201



FILLING WITH WATER OR SAND / LOOP CONE



Loop Cone (22 kg)
+ water filled to the filling cap
(305 liters of water) ~ 327 kg

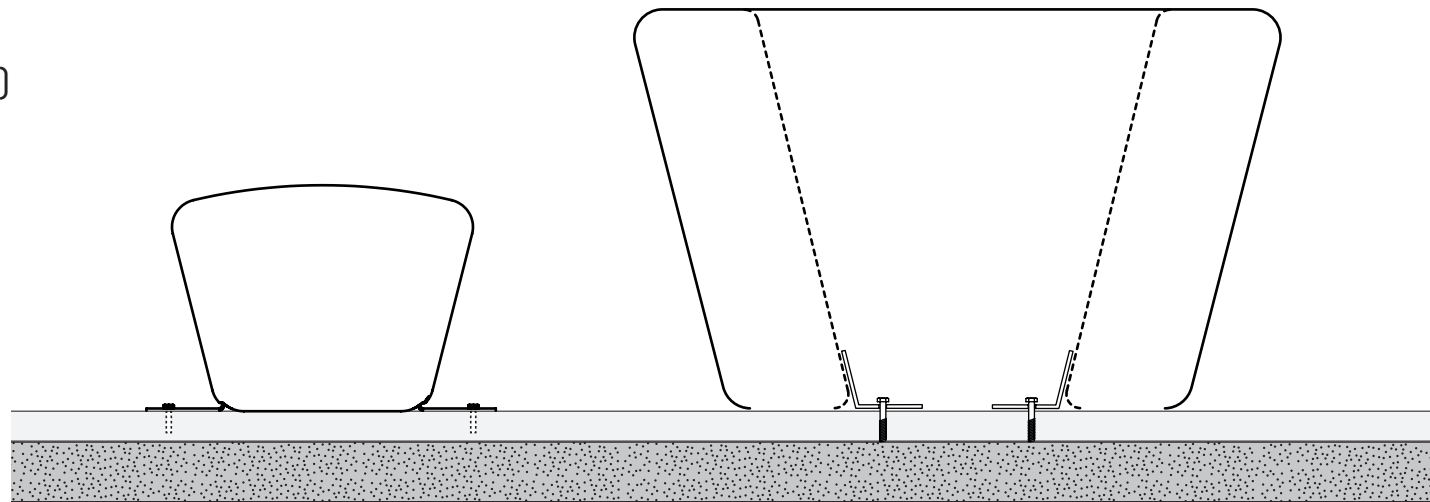
or:

Loop Cone (22 kg)
+ sand up to the filling cap
(490 kg sand) ~ 512 kg

MOUNTING THE LOOP UP AND LOOP CONE

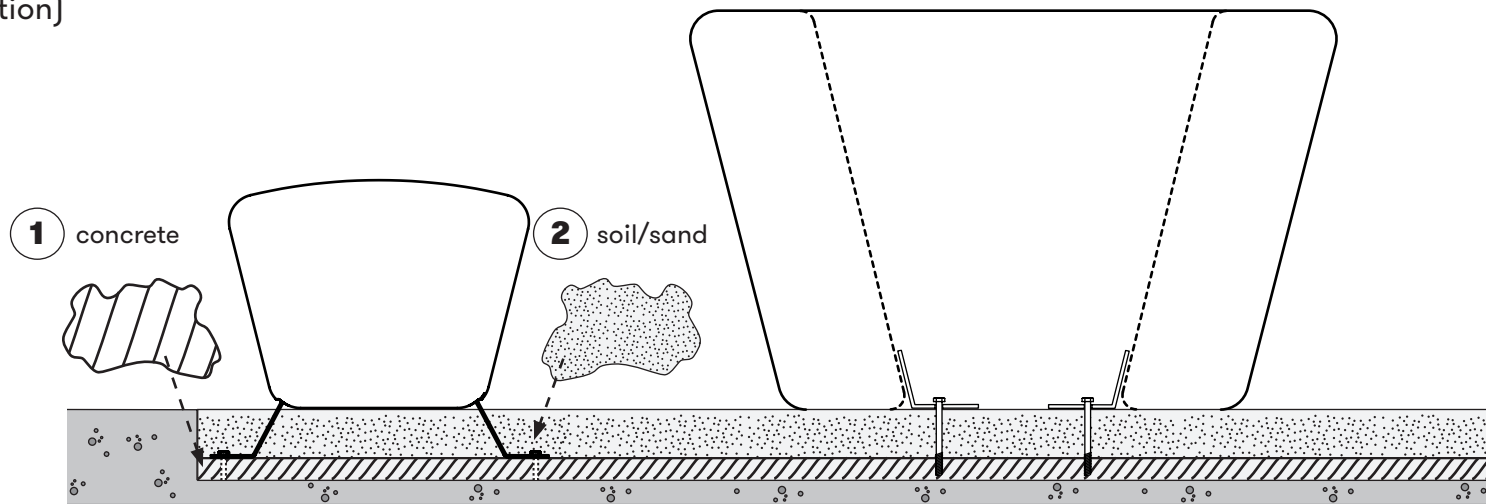
Loop Up:
B15 bracket (surface fixation)
(see details on page 04)
1 bracket per Loop Up

Loop Cone:
B11 bracket
(surface fixation) 3 pcs.

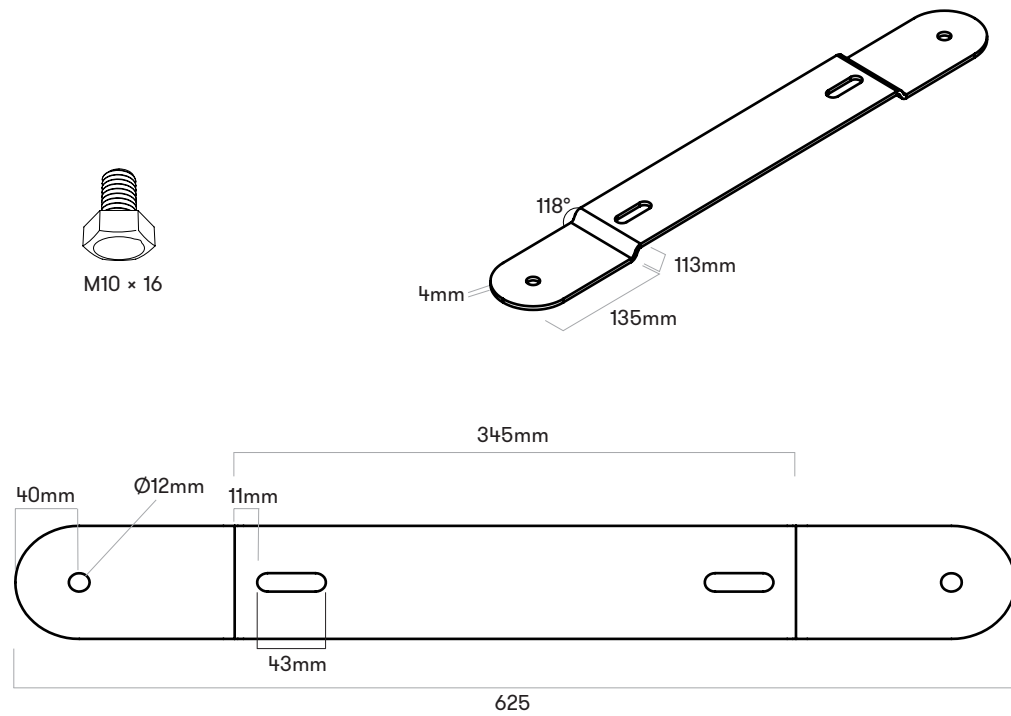


Loop Up:
B16 bracket (ground fixation)
(see details on page 04)
1 bracket per Loop Up

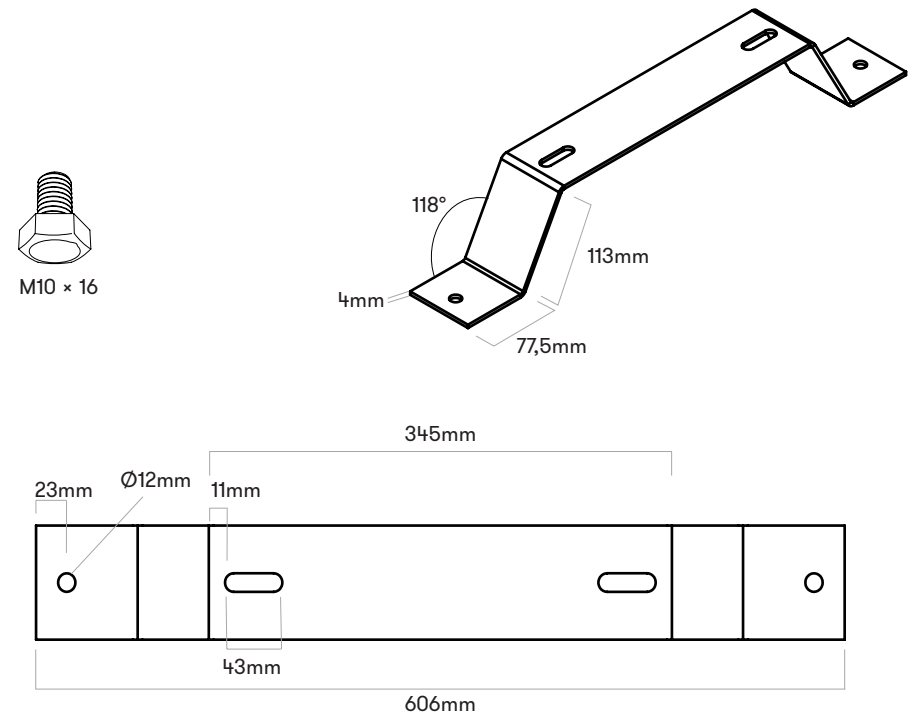
Loop Cone:
B11 bracket
(surface fixation) 3 pcs.



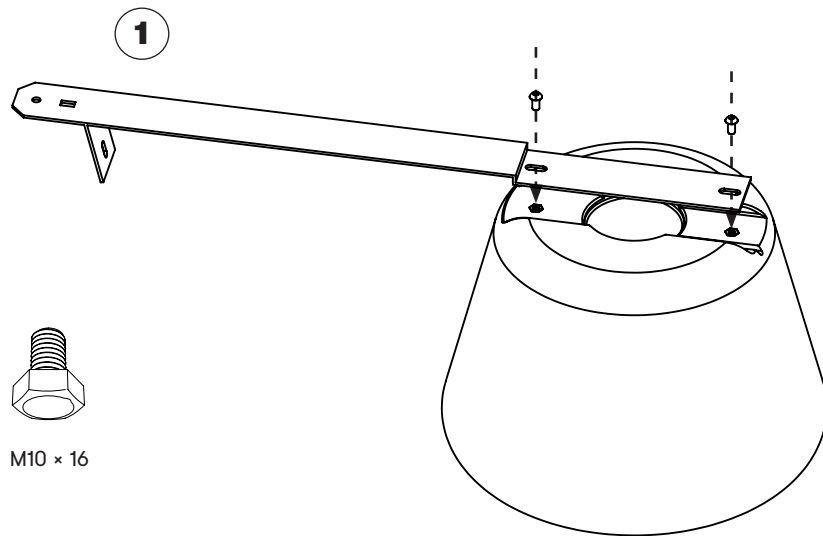
MOUNTING BRACKET FOR LOOP UP B15



MOUNTING BRACKET FOR LOOP UP B16

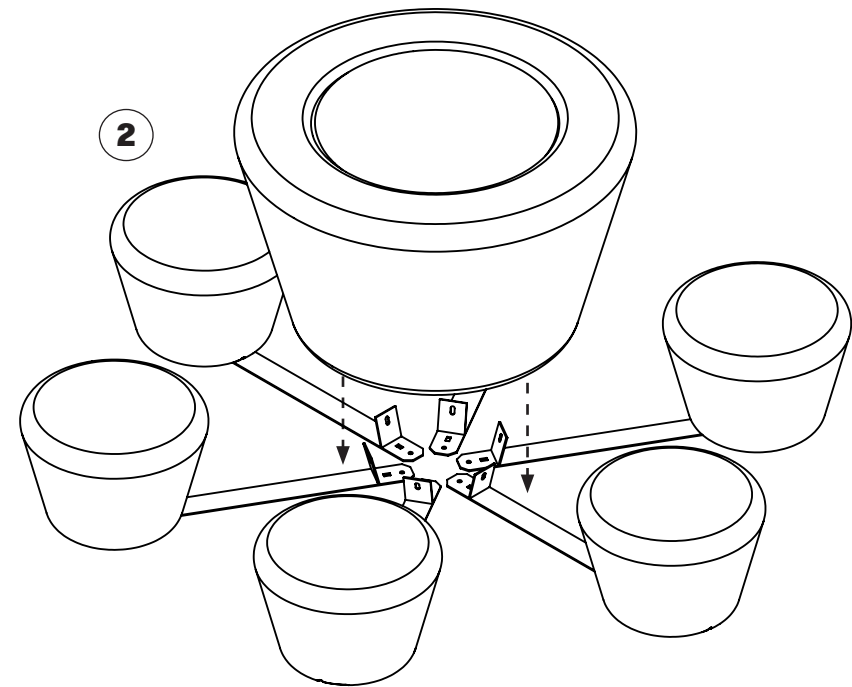


MOUNTING THE B14 BRACKET



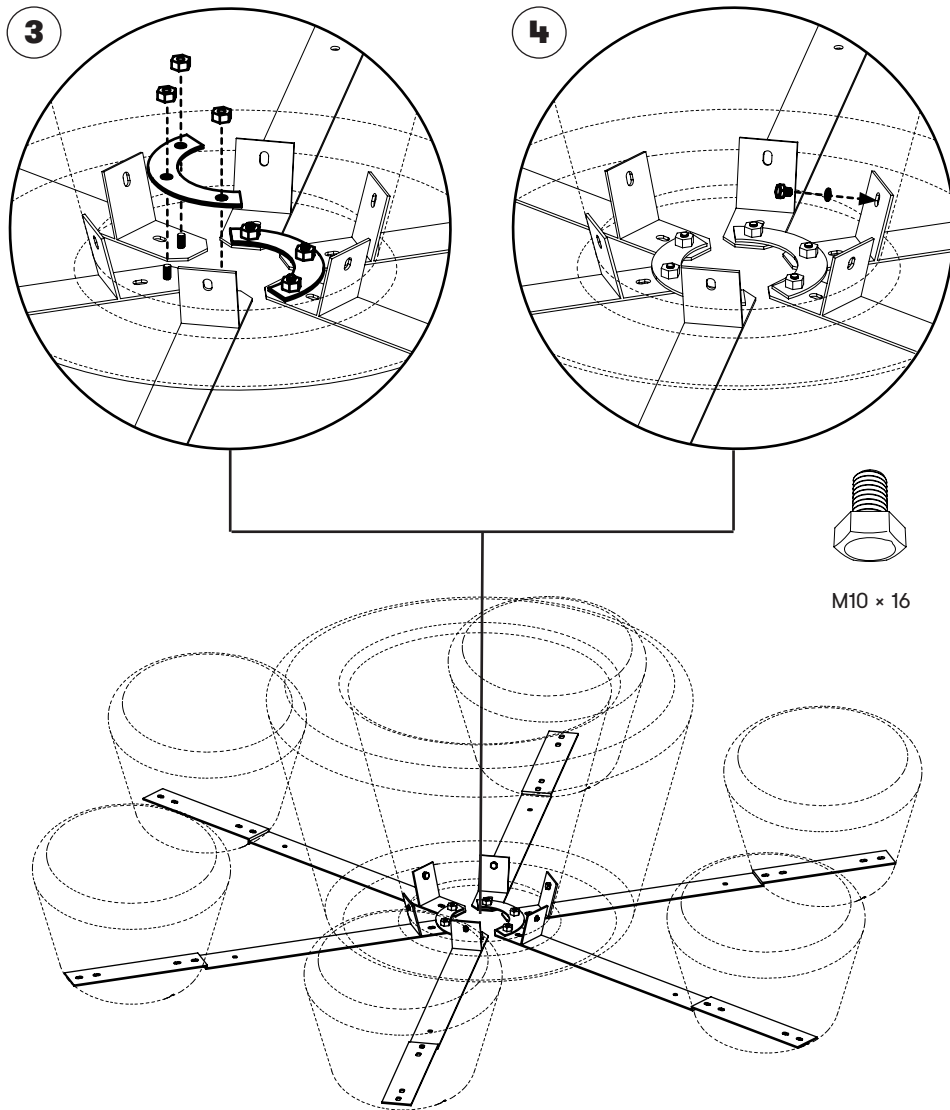
6 x Loop Up attach to the arms of the B14 bracket using the M10 bolts included as shown above. Two possible positions allow for a total diameter of either 2.40m or 2.50m.

MOUNTING THE B14 BRACKET



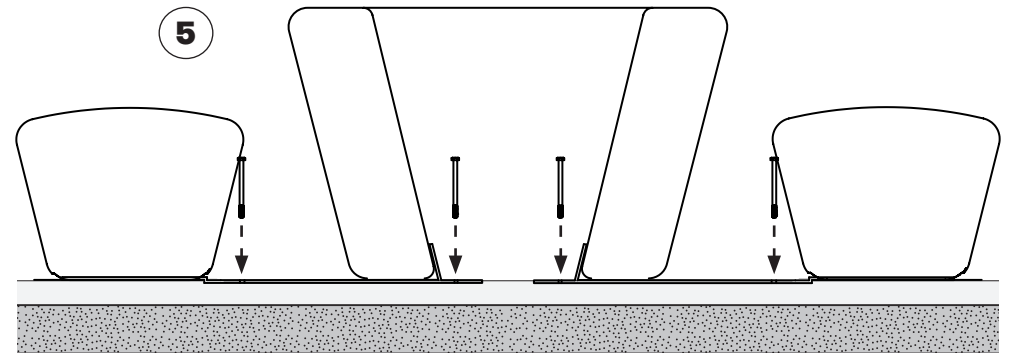
Once the 6 Loop Up units are mounted on their individual fittings, position them in a star formation and lower the Loop Cone part over the star to gather the vertical flanges inside Loop Cone. Now they may be pushed into position and bolted to the six brackets (see page 06).

ATTACHING THE B14 BRACKET



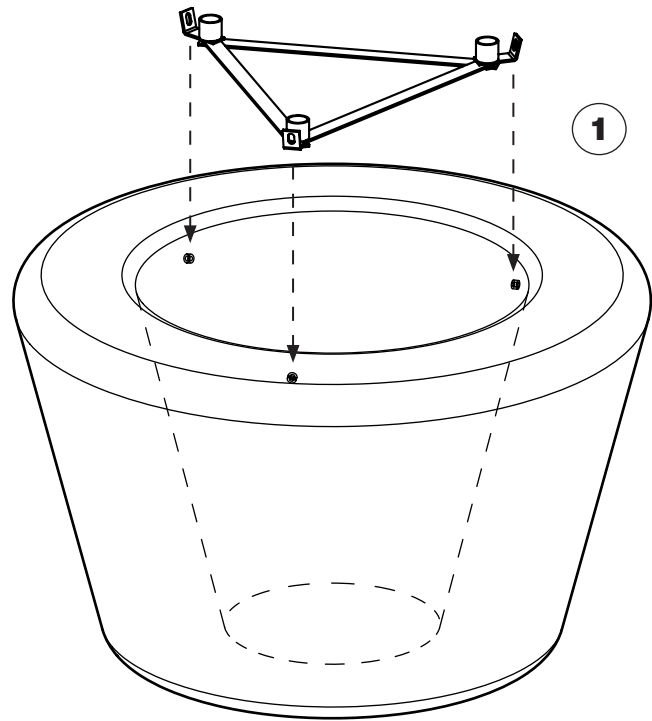
ATTACHING THE B14 BRACKET

- 3** Gather the long parts of the B14 bracket three at a time using the two semi-circular brackets. Requires a total of 6 M10 nuts.
- 4** Attach the 6 brackets to Loop Cone by bolting the vertical flanges to the brackets.
- 5** Finally the entire arrangement is placed in the desired location and bolted to the underlying surface. We recommend the use of expansion bolts.

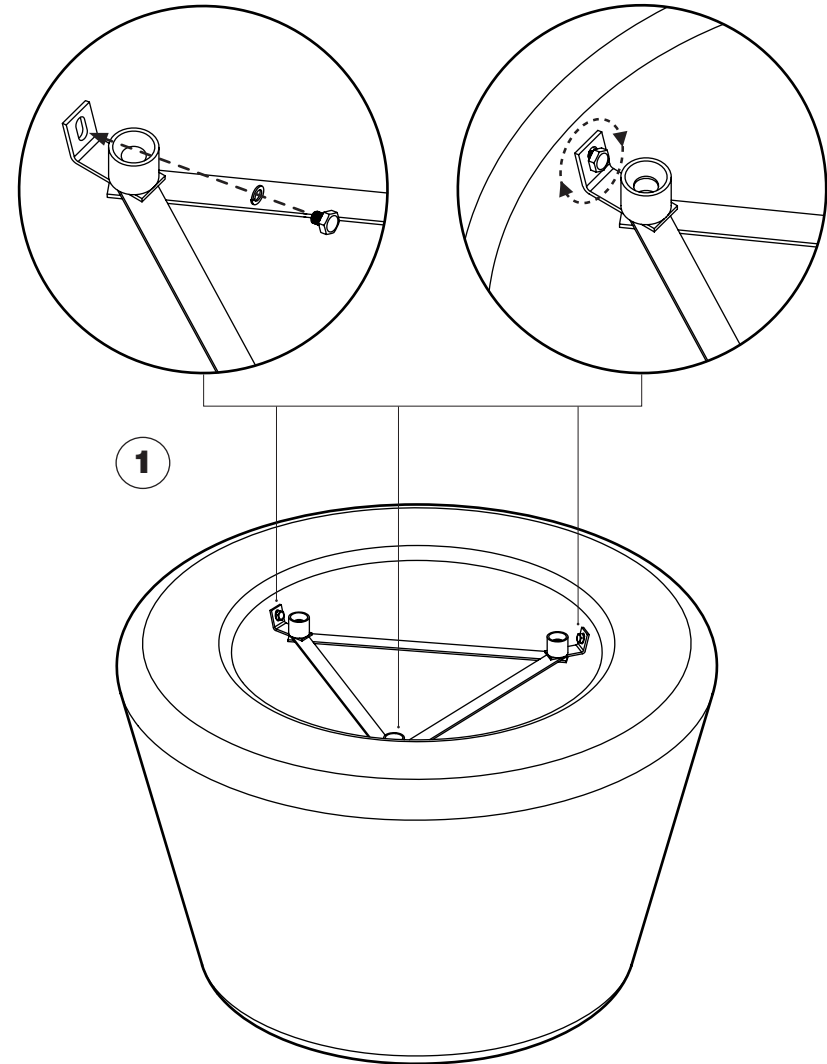


MOUNTING THE TABLETOP USING THE BRACKETS SUPPLIED

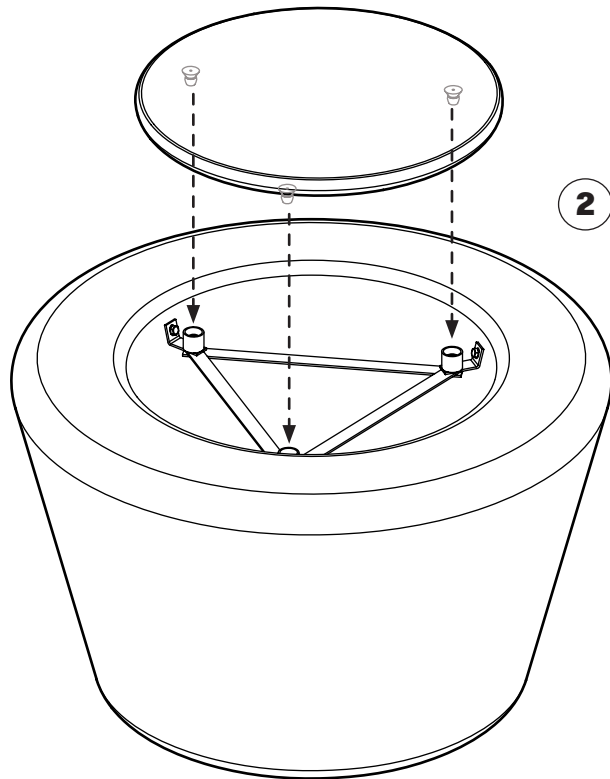
- 1** The assembled brackets are mounted into the 3 inserts using the M10 bolts and washers supplied.
- 2** Press the tabletop into the 3 rubber plugs in the bracket. Note that the tabletop may require a sharp push to click into place.
- 3** Adjust the height as necessary to ensure that the tabletop is flush with the edge of Loop Cone (see step 3, page 08).



MOUNTING THE TABLETOP USING THE BRACKETS SUPPLIED

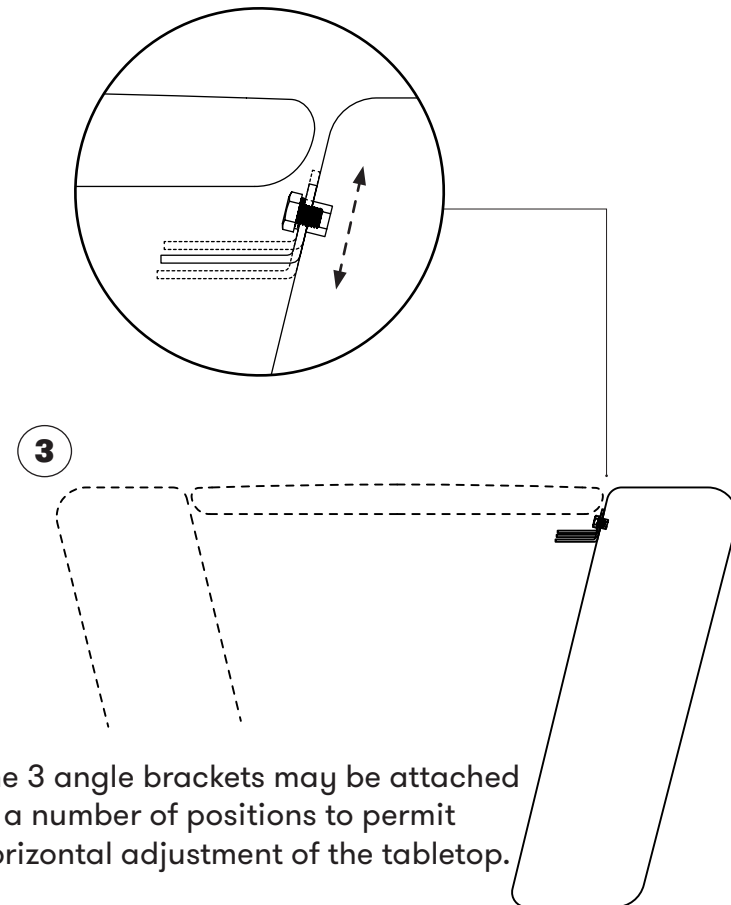


MOUNTING THE TABLETOP USING THE BRACKES SUPPLIED



Begin by placing one of the 3 connectors into one of the 3 rubber plugs. Then turn the tabletop to make the last 2 connectors match the rubber plugs. Push the tabletop into all 3 plugs. You will hear a click when the tabletop is pushed into the correct position.

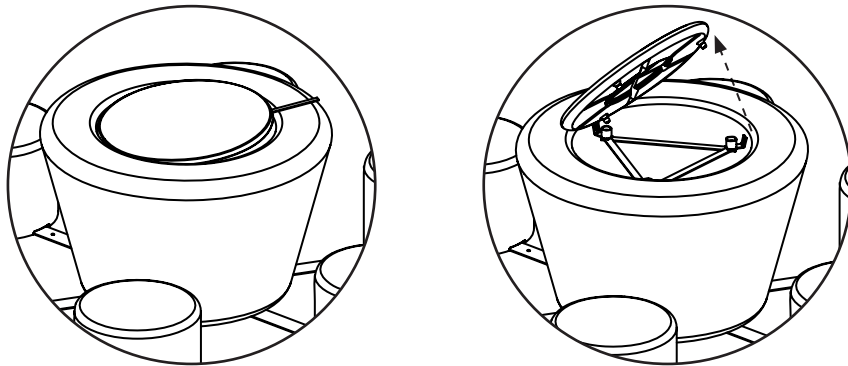
ADJUSTING THE TABLETOP USING THE FLEXIBLE ANGLE BRACKETS



The 3 angle brackets may be attached in a number of positions to permit horizontal adjustment of the tabletop.

Lift off the tabletop (see page 09) before loosening the bolts and pushing the bracket into a suitable position.

DISMANTLING THE TABLETOP FOR MAINTENANCE



The tabletop can be removed to adjust the height or to clean inside Loop Cone. Position the tool level with one of the 3 plugs between the tabletop and Loop Cone and tilt it to loosen the tabletop.

It is important to loosen all 3 plugs prior to lifting the tabletop.

Use a rag between the tool and the surface in order to protect your products from marks and scratches.

CLEANING INSTRUCTIONS

The material polyethylene withstands almost all detergents. Polyethylene requires no maintenance. The dyed polyethylene preserves the colour - minimal fading by the sun is to be expected.

Pressure washers can be used with advantage to clean the product. This service is often offered by companies that remove graffiti.

After cleaning, use vinyl polish (same as used for car interior) to make the product shine.

SLIP RESISTANT SURFACES

The products have a textured/granulated surface due to abrasive blasting of the mold.

This process increases friction, resulting in a less slippery surface.

TABLE TOP

The tabletop of the Loop Picnic table features a smooth surface that requires the same kind of maintenance as the other units.