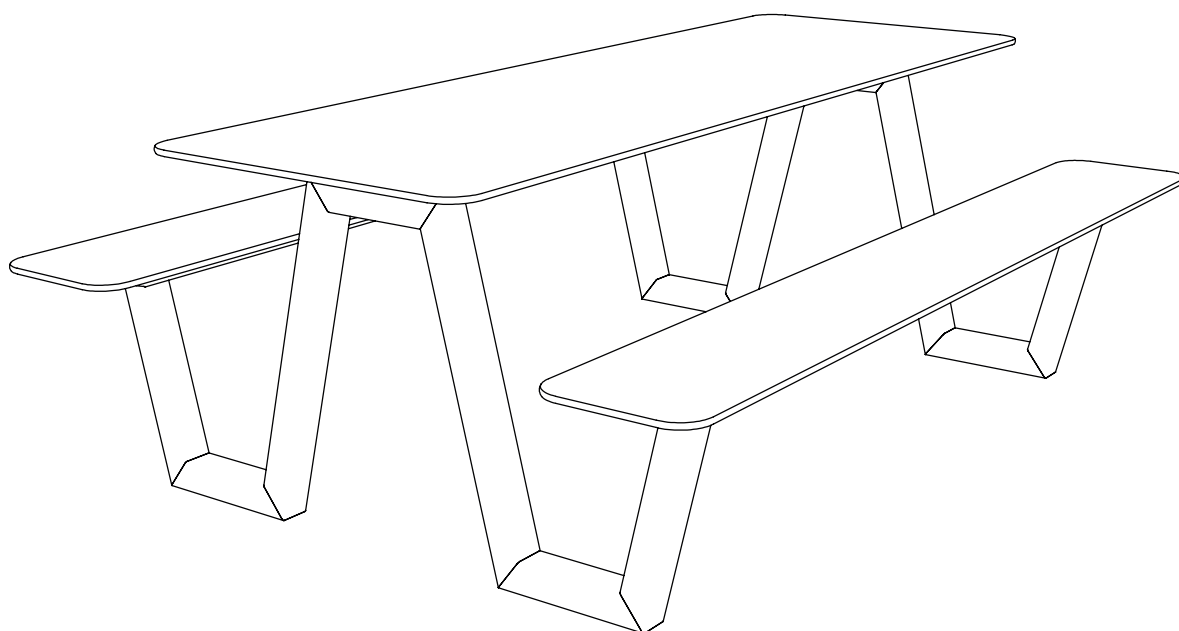
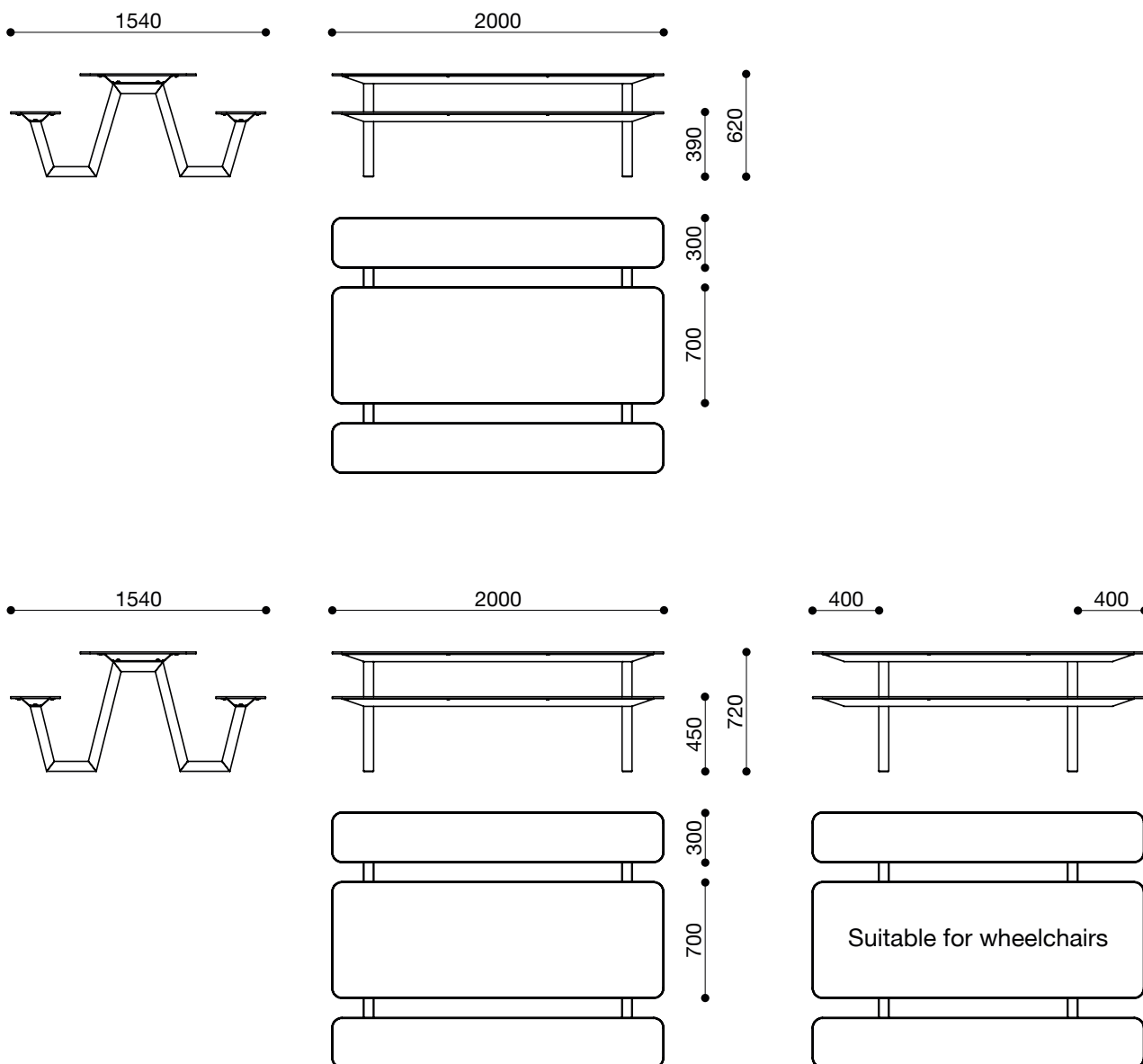


# Picnic HPL

## Technical Informations

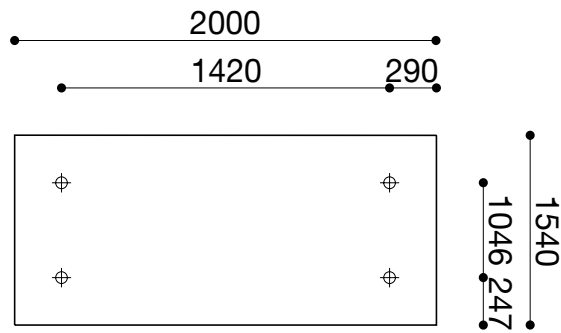


# Dimensions

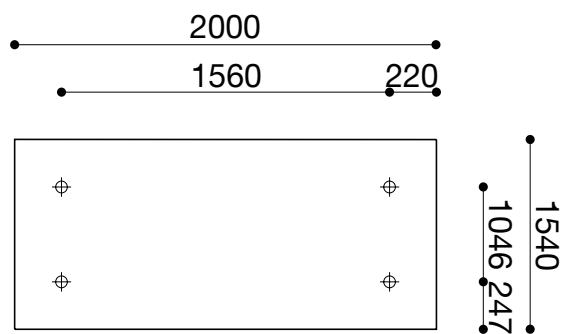


## Hole pattern for mounting

With screw and dowel:

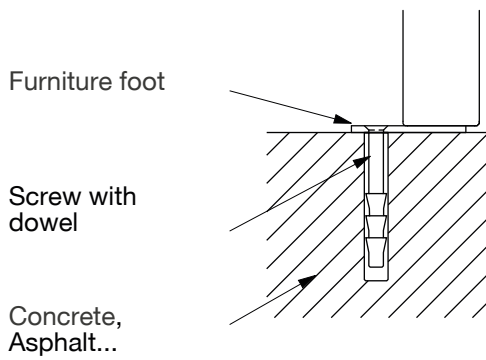


With ground anchor:



# Mounting

## With screw and dowel



## With ground anchor

