

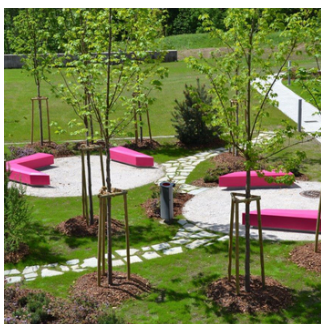
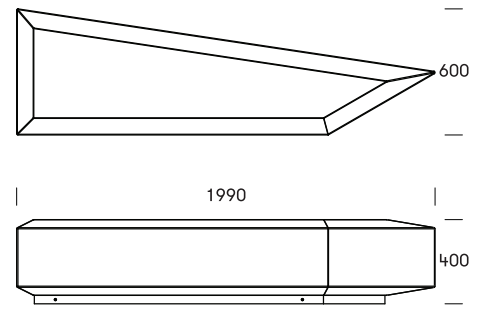
# POLYGON COFFIN

## # 146

An irregularly shaped, many-facetted combination module for excitingly different seating. The 5 colour variations can be used to create a contrast to the surroundings.

Polygon can be used individually or combined to create an infinite number of inviting combinations: linear, angled, open, closed, etc.

Design: Miramondo



# TECHNICAL DATA

## Material

Rotation moulded polyethylene, 6-7 mm thick, dyed. Moulded in one piece. UV-resistant, stands up to weather, wear and tear. The material is suitable for granulation and recycling.

Filling: Hard polyurethane (PUR) provides excellent stability and prevents deformation. Galvanised steel base.

## Dimensions

L1990 x B600 x H400mm

## Fixation

4 x Ø12mm holes. Fastens directly onto paving using screws and rawlplugs through four holes in the steel base or anchors into an underlying concrete foundation using four galvanised steel rods. Brackets to be ordered separately.

## Maintenance

This product withstands most cleaning agents and chemicals and can be cleaned using a high-pressure cleaner. The colour can be revived using vinyl cleaner or similar

## Product code

146 0101 Polygon red / 35kg

146 0102 Polygon limegreen / 35kg

146 0104 Polygon yellow / 35kg

146 0105 Polygon blue / 35kg

146 0109 Polygon purple / 35kg

900M1 Brackets for surface fixation

900M2 Brackets for ground fixation

## Standard colours (approx. RAL)



Red: RAL 3020



Limegreen: RAL 6018



Yellow: RAL 1003



Blue: RAL5012



Purple: RAL 4006